

Plunger Pumps

FEATURING

MANIFOLD: High strength forged brass or nickel plated for long term use.

BOLTS: Eight 10mm grade 8.8.

PLUNGERS: A special thick solid ceramic for long life, strong durability and more resilience.

CRANKCASE: Precision die-cast, large cooling fins and anodized for maximum heat dissipation. Bayonet style sight glass located in the rear and side cover, fill and side and bottom drain plugs.

BEARINGS: Oversized premium tapered roller bearing for maximum life and load distribution.

BEARINGS SUPPORTS: Precision die-cast and machined to assure concentricity and alignment.

VALVES, SEATS, AND SPRINGS: Stainless steel with specially designed Ultra Form cages to provide long life and positive seating.

SEALS AND U-PACKINGS: Continuously lubricating for extended life. Triple lip oil seal for assured crankcase seal.

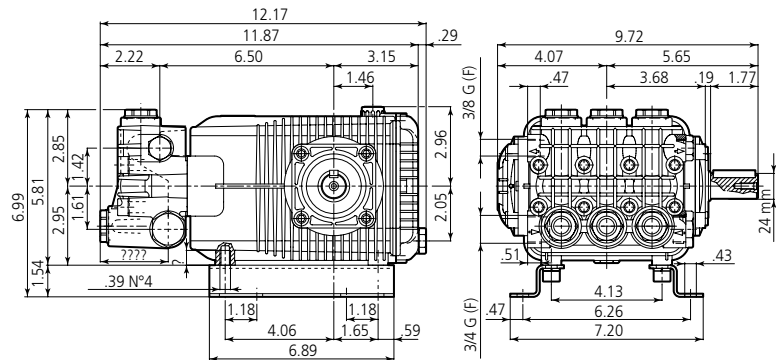
PLUNGER RODS: High strength stainless steel, for heavy duty use.

CONNECTING RODS: Two-piece special alloy aluminum based material, oversized for maximum strength, load disbursement, and long life. Heavy pin area construction, for added load strength.

DIMENSIONS



XW N version Solid shaft pump ø 24 mm



SPECIFICATIONS

MODEL	MAX GPM	MAX LMP	MAX PSI	MAX BAR	POWER EBHP	BORE DIA MM	STROKE MM	CRANKSHAFT ID STAMP	WEIGHT LBS.
XW15.15	3.96	15.0	2200	150	5.5	20	12.2	5	34
XW15.20	3.96	15.0	2900	200	7.5	20	12.2	5	34
XW15.30	3.96	15.0	4350	300	12.0	20	12.2	5	34
XW21.20	5.55	21.0	2900	200	10.0	20	16.6	3	34
XW21.25	5.55	21.0	3600	250	12.5	20	16.6	3	34
XW21.28	5.55	21.0	4060	280	15.0	20	16.6	3	34
XW26.12	6.87	26.0	1740	120	7.5	20	19.8	1	34
XW26.15	6.87	26.0	2200	150	10.0	20	19.8	1	34
XW26.20	6.87	26.0	2900	200	12.5	20	19.8	1	34
XW26.23	6.87	26.0	3400	230	15.0	20	19.8	1	34
XW30.10	7.92	30.0	1450	100	7.5	22	19.8	1	34
XW30.15	7.92	30.0	2200	150	10.0	22	19.8	1	34
XW30.20	7.92	30.0	2900	200	15.0	22	19.8	1	34
XW30.25	7.92	30.0	3600	250	19.0	22	19.8	1	34

Oil Capacity = 32oz

Maximum Fluid Temperature = 140° F

Inlet Thread = 3/4" F

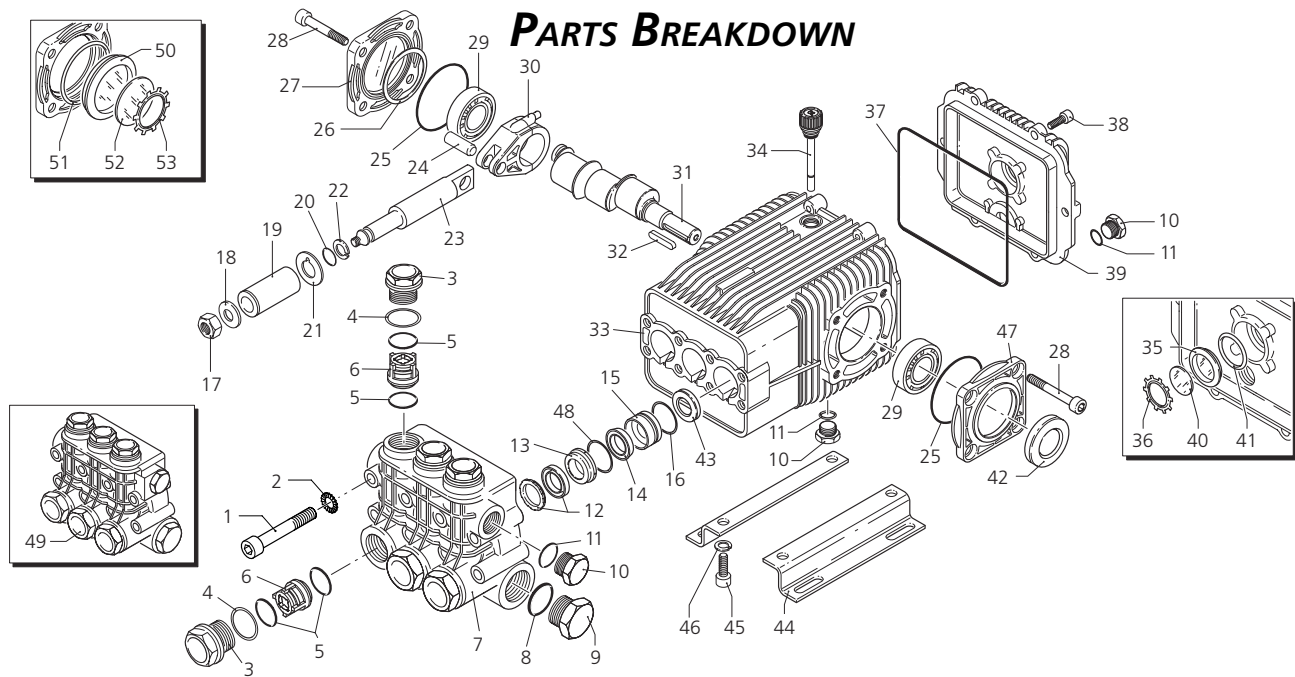
Discharge Thread = 3/8" F

Torque Specifications Inch pounds (ft. lbs)

HEAD	PISTON NUT	REAR COVER	SIDE COVER	VALVE CAP	CON RODS
442 (37)	106 (8.8)	92 (7.7)	217 (18)	602 (50)	89 (7.5)

SPECIAL NOTE: Use AR64516 Oil. First change oil after 50 hours of use. Then every 500 hours. This oil is specially formulated to provide correct lubrication properties for our pumps. **No** other oil is factory approved for these pumps.





Pos.	Code	Description	Qty.	Pos.	Code	Description	Qty.	Legend			
1	1940260	Screw	8	31	1940520	Crankshaft	○● 1	Ø 20	Ø 20	Ø 20	Ø 22
2	650530	Washer	8	31	1940180	Crankshaft	□ 1	For ○	For □	For ▼	For ◆
3	1940140	Plug	6	31	1940160	Crankshaft	▼◆ 1	XW15.15	XW21.20	XW26.12	XW30.10
4	1940150	Ring	6	32	650250	Key		XW15.20	XW21.25	XW26.15	XW30.15
5	1140450	O-Ring	12	33	1941330	Pump housing			XW21.28	XW26.20	XW30.20
6	1949050	Complete valve	6	34	1140370	Oil cap				XW26.23	XW30.25
7	1940021	Pump head	○□▼● 1	35	1260250	Oil indicator					
	1941210	Pump head	◆ 1	36	1260430	Snap ring					
8	550350	O-Ring	1	37	1940410	O-Ring					
9	1140300	Plug 3/4" G	1	38	1200430	Screw					
10	1980740	Plug 3/8" G	3	39	1949010	Complete cover					
11	740290	O-Ring	3	40	1780690	Disc					
12	1940440	Gasket w/ring Ø20	○□▼● 3	41	1140450	O-Ring					
13	1940270	Gasket w/ring Ø22	◆ 3	42	820680	Seal					
14	1940430	Front piston guide Ø20	○□▼● 3	43	1940560	Seal					
15	1940200	Front piston guide Ø22	◆ 3	44	1940370	Base					
16	1940470	Gasket Ø20	○□▼● 3	45	1940380	Screw					
17	1940480	Gasket Ø22	◆ 3	46	200231	Washer					
18	1940450	Rear piston guide Ø20	○□▼● 3	47	1941240	Open bearing support					
19	1940460	Rear piston guide Ø22	◆ 3	48	1941220	O-Ring					
20	820490	O-Ring	3	49	1949200	Pump head assem Ø20	○□▼● 1				
21	1940570	Nut	3		1949203	Pump head assem Ø22	◆ 1				
22	1940580	Washer	3	50	1941270	Oil indicator					
23	1420430	Piston Ø20	○□▼● 3	51	100410	O-Ring					
24	1420120	Piston Ø22	◆ 3	52	1941260	Disc					
25	880840	O-Ring	3	53	1941290	Snap ring					
26	960460	Spacer	3								
27	1940120	Ring	3								
28	1940070	Guiding piston	3								
29	1940060	Piston pin	3								
30	1941380	O-Ring	3								
	1941390	0,05 mm shim	1-3								
	1941400	0,10 mm shim	1-3								
	1941410	0,19 mm shim	1-3								
	1941420	0,25 mm shim	1-3								
	1949011	Complete side cover	1								
	850370	Screw	8								
	1941370	Bearing	○ 2								
	1140410	Bearing	□▼◆● 2								
	1940050	Con rod	3								

Legend			
Ø 20	Ø 20	Ø 20	Ø 22
For ○	For □	For ▼	For ◆
XW15.15	XW21.20	XW26.12	XW30.10
XW15.20	XW21.25	XW26.15	XW30.15
	XW21.28	XW26.20	XW30.20
		XW26.23	XW30.25
For ●			
XW15.30			

Repair Kits			
Water Seal	Valve	Pistons	Oil Seals
Kit 2782 Ø20		Kit 2542 Ø20	
Kit 2783 Ø22	Kit 2780	Kit 2543 Ø22	Kit 2781
Pos. Qty.	Pos. Qty.	Pos. Qty.	Pos. Qty.
12 3	5 6	17 3	25 3
14 3	6 6	18 3	37 1
16 3		19 3	42 1
48 3		20 3	43 3
		21 3	
		22 3	
Support Rings			
Kit 2784 Ø20			
Kit 2785 Ø22			
Pos. Qty.			
7 3			

Special Parts		
Code	Description	Qty.
2778	Viton water seals Ø20	1
2779	Viton water seals Ø22	1

